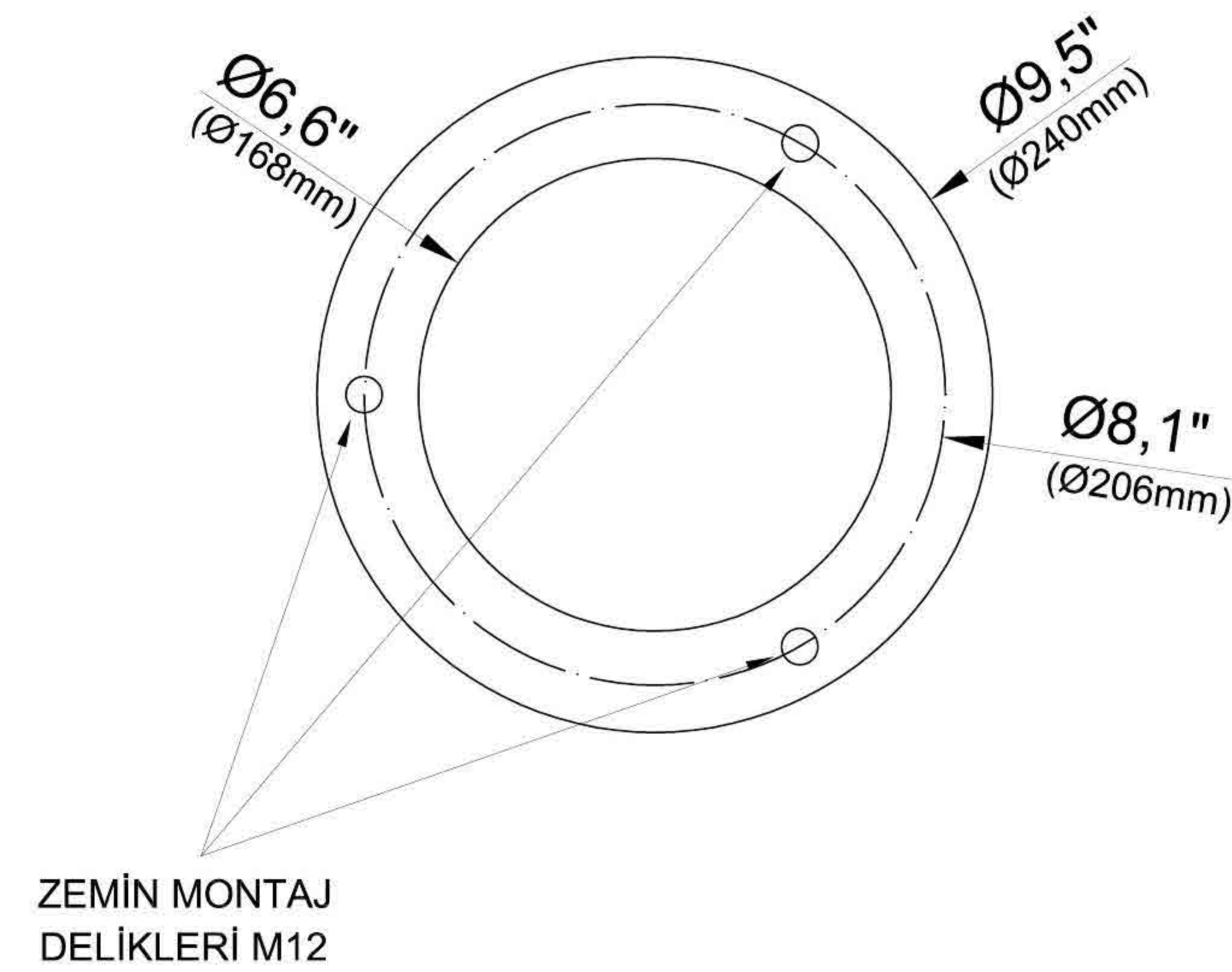
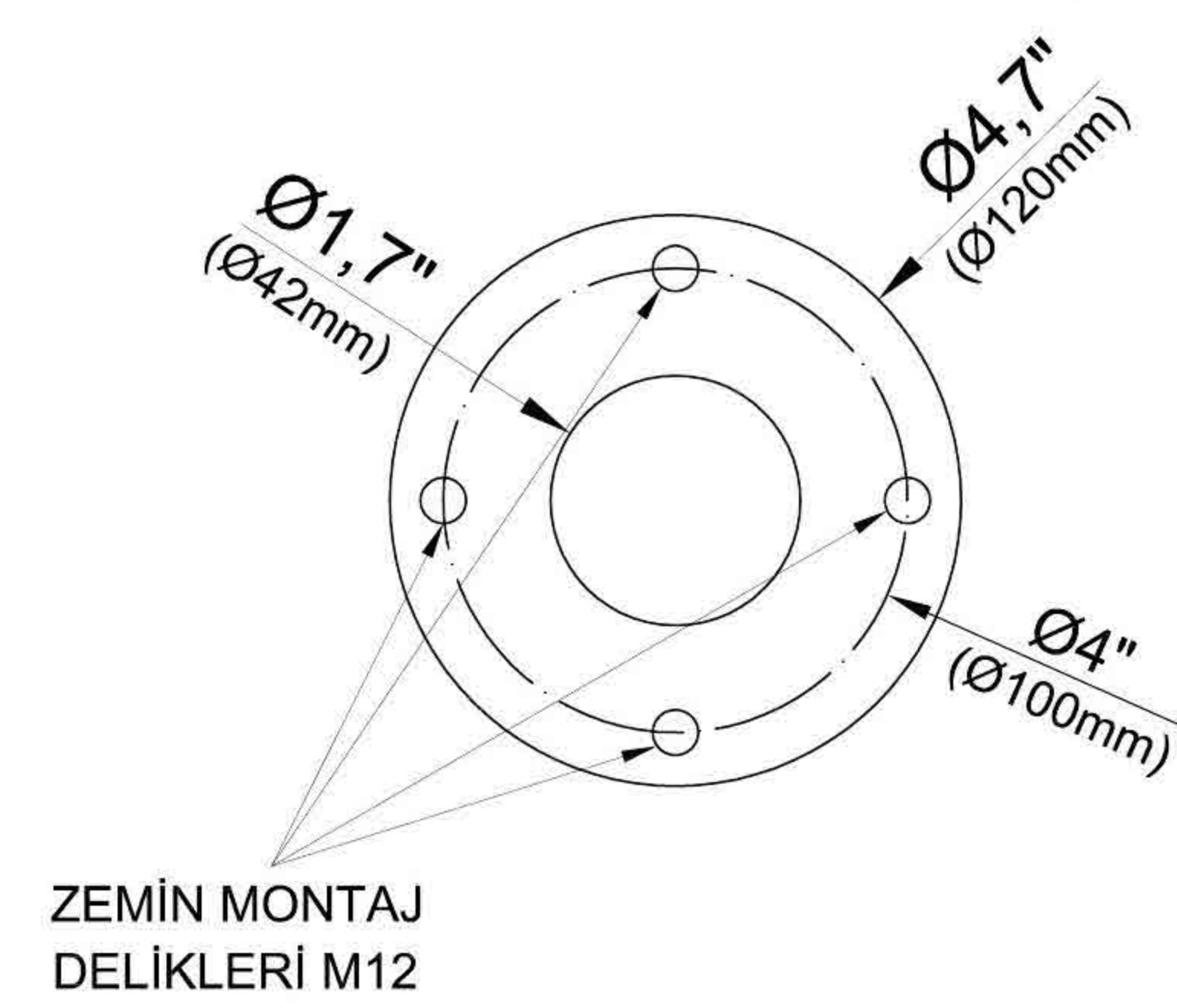


ZEMİN BAĞLANTI FLANŞI

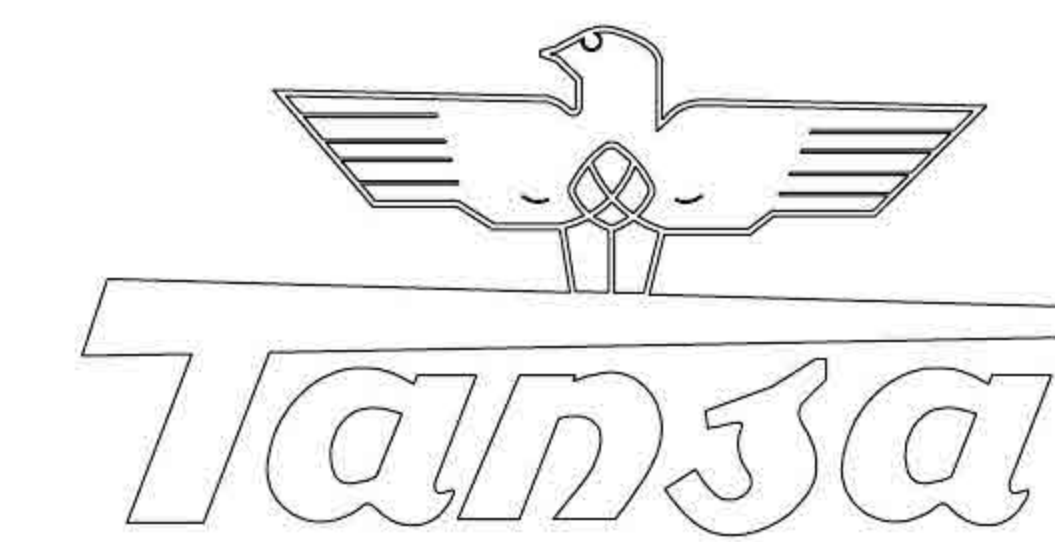


ZEMİN BAĞLANTI FLANŞI



TECHNICAL DRAWING DIMENSIONING

REVISION



www.tansaturnike.com

DRAWING MODEL

LTT 343

A4

SCALE : 1/15

PAGE 1 / 1