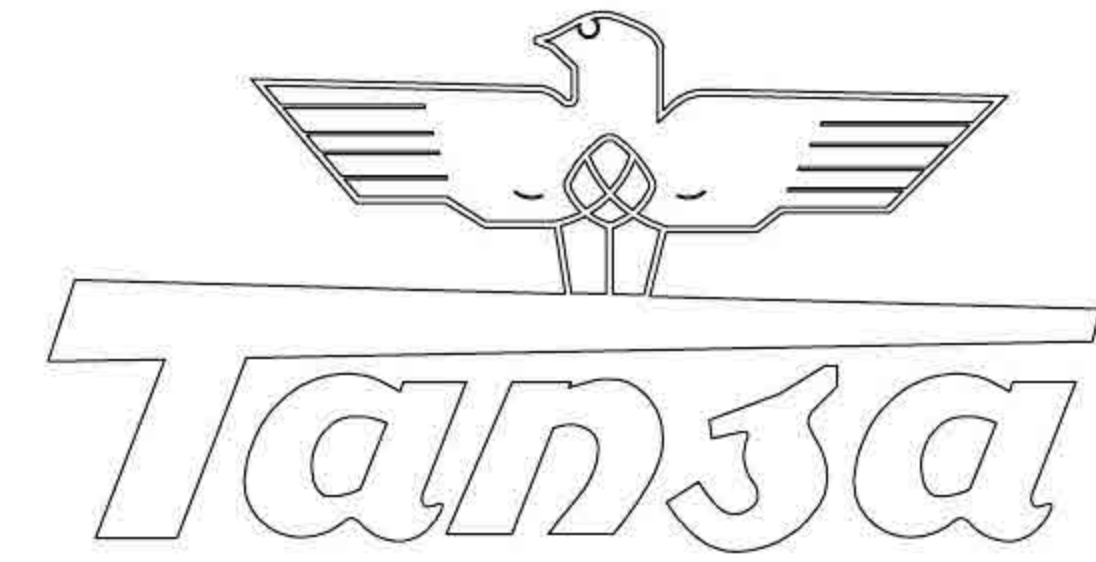


TURNİKE İZOMETRİK GÖRÜNÜŞ

TECHNICAL DRAWING DIMENSIONING		REVISION
		www.tansaturnike.com
DRAWING MODEL		A3
LTF 114 DOUBLE		
SCALE : 1/10	PAGE 1 / 1	